



# Hotcake Batter Dispenser Product # 142-C

## Product Features

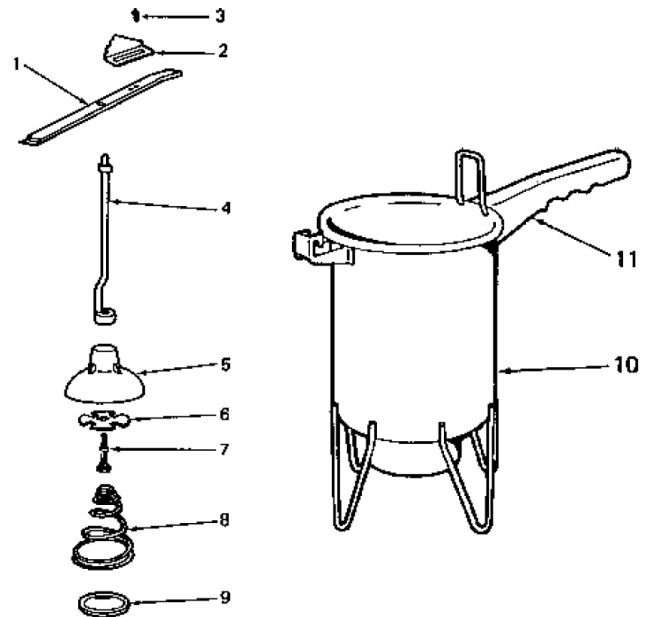
- Portion control for dispensing consistent product amounts.
- Adjustable for any size pancake.
- Convenient lever design for easy dispensing.
- Built-in legs-no need for a stand.
- Stainless steel construction.
- Finger-formed Bakelite handle.
- Easy to clean.

## Dimensions

Model Number	Height in (cm)	Diameter in (cm)	Capacity oz (kg)	Shipping Wt lbs (kg)	Volume cu ft (cu m)
142-C	10.5 (26.67)	5.5 (13.97)	48 (1.36)	6 (2.72)	0.76 (.022)

## Specifications

Item	Part #	Description
1	142-53	Actuating Lever
2	149-11	Adj. Stop Bracket w/Screw
3	76-212	Slotted Pan Head Screw
4	142-42S	Plunger Rod
5	142-30S	Plunger (Blue) (Pkg. 2)
6	142-19S	Flapper Valve (Blue) (Pkg. 2)
7	101-58	Retainer
8	142-17S	Spring (Pkg. 2)
9	142-16S	Single Hole Diffuser (Blue) (Pkg. 3)
10	142-2	Container
11	101-9	Replacement Handle Kit



## Certifications



355 E. Kehoe Blvd.  
Carol Stream, IL 60188

1.800.PCASTLE • 630.462.8800  
www.princecastle.com



A Marmon/Berkshire Hathaway Company

© 2018 Prince Castle LLC - Specifications and design are subject to change without notice

This product is patent protected. Patent information can be found at [www.princecastle.com/patents/](http://www.princecastle.com/patents/).

12/2018