



Mustard Dispenser

Product # 398-CN

Product Features

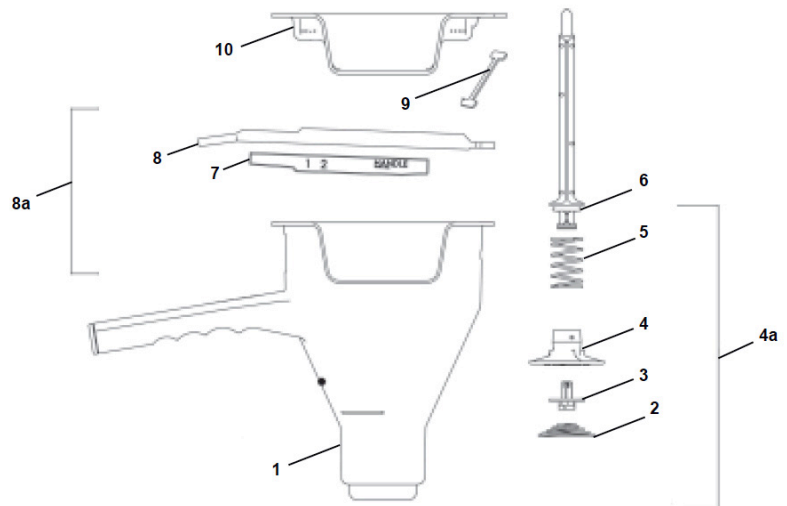
- Two dispensers fit in same spare as one round dispenser
- Uses same levers and pump parts as the round dispenser
- IMPROVED parts ensure positive pump action, provide accurate portion every time and reduce clogging
- Lightweight plastic shell
- Includes cover with tether attachment to reduce loss and prevents mustard from solidifying
- All internal parts are colored white, providing easy identification
- Capacity: 2 lbs. (0.91 kg) above refill line
- Portion size 1/8 tsp. (0.7 ml), improved portion spread

Dimensions

Model Number	Height in (cm)	Container in (cm)	Shipping Wt lbs (kg)	Volume cu ft (cu m)
398-CN	9.13 (23.2)	6.25x3.5 (16.5x8.9)	3 (1.4)	0.31 (.009)

Specifications

Item	Part #	Description
1	398-112	Narrow Container w/Handle
2	404-7	Check Valve Spring
3	389-034	Check Valve
4	398-091	Cylinder
4a	398-098S	Cylinder, Valve, and Spring Assembly
5	398-20	Piston Spring
6	398-032	Piston Push Rod
7	398-031	Adjusting Cam
8	398-033	Lever
8a	398-033S	Lever and Cam Assembly
9	404-13	Tether (Pkg. of 6)
10	414-152S	Narrow Lid w/Tether (Pkg. of 3)



A Marmon/Berkshire Hathaway Company

© 2018 Prince Castle LLC - Specifications and design are subject to change without notice

This product is patent protected. Patent information can be found at www.princecastle.com/patents/.

12/2018



355 E. Kehoe Blvd.
Carol Stream, IL 60188

1.800.PCASTLE • 630.462.8800
www.princecastle.com



Mustard Dispenser

Product # 398-CN

Parts Kits

Part #	Description	Qty
398-CN Entire Dispenser		
398-112	Container with Handle	1
404-7	Check Valve Spring	1
398-034	Check Valve	1
398-091	Cylinder	1
398-20	Piston Spring	1
398-032	Piston Push Rod	1
398-031	Adjusting Cam	1
398-033	Lever	1
406-152	Lid, Narrow	1
404-13	Tether	1
398-032S Upgrade Kit		
404-7	Check Valve Spring	1
398-034	Check Valve	1
398-091	Cylinder	1
398-032	Piston Push Rod	1
398-031	Adjusting Cam	1
398-033	Lever	1
398-035S Adjusting Cam Kit		
398-031	Adjusting Cam	1
398-033	Lever	1
398-091S Cylinder, Valve and Spring Kit		
404-7	Check Valve Spring	1

Part #	Description	Qty
398-034	Check Valve	1
398-091	Cylinder	1
398-20	Piston Spring	1
398-034S Spare Parts Kit		
404-7	Check Valve Spring	3
398-034	Check Valve	3
398-091	Cylinder	2
398-20	Piston Spring	2
398-032	Piston Push Rod	2
398-031	Adjusting Cam	1
398-033	Lever	1
404-2	Lid, Round	2
406-152	Lid, Narrow	2
404-13	Tether	2
398-20S Piston Return Spring Kit		
398-20	Piston Return Spring	6
404-7S Check Valve Spring Kit		
404-7	Check Valve Spring	6
404-2NS Narrow Lid and Tether Kit		
406-152	Lid, Narrow	3
404-13	Tether	3
404-13S Tether Kit		
404-13	Tether	6

Certifications



Dispenser Holders

Product #417-AN / 417-BN



Product Features

- Prevents clogging because dispensers are encapsulated in the holder and protected from any air flow
- Especially important when dispensers are not used for long periods of time, such as:
 - If crew fills mustard too early in the morning before breakfast
 - When Side Two is closed between lunch and dinner
- Easy to clean – simply wipe down during operation and can put in dishwasher at night
- Localizes mess by containing in one area
- Non-slip rubber feet keep dispenser from slipping on prep table

