



Ergonomic Grill Scraper

Product # 613-C

The Prince Castle Clam Shell Grill Scraper was specifically engineered for use with clamshell grills and topside cookers. Redesigned to improve operator safety and comfort, the Prince Castle Clam-Shell Grill Scraper improves grill cleaning dramatically. The Grill Scraper will clean hot grills between uses, grill scrapers prevent buildup that can ruin grills. Constructed of durable wire form, this unique tool is perfect for cleaning hard-to-reach areas.

Designed to accommodate disposable blades, this scraper reduces indirect labor of sharpening the blades while improving overall scraping consistency.

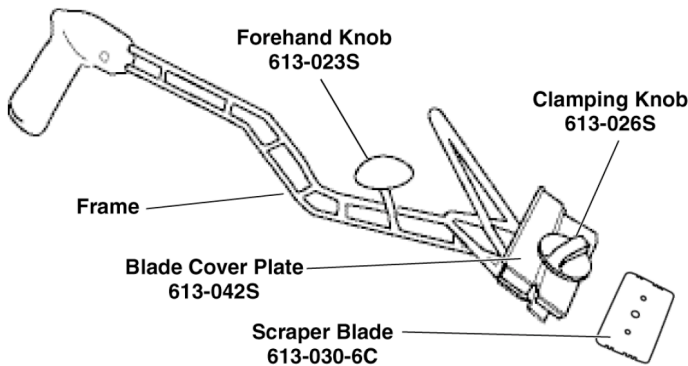
Product Features

- Great for clamshells and topside cookers.
- Disposable blades are easily replaced - no tools needed.
- Durable wire form construction.
- Safer design decreases possibilities of employee injury, hand guard protects front hand from heat hazard of clamshell.
- Ergonomic design for more comfortable use.
- Molded handles reduce stress on hand, promoting proper use of tool.
- Angle of blade to grill optimized, reducing damage to both the blade and the grill.
- Easy to clean.
- New lightweight design

Dimensions

Model Number	Length in (cm)	Height in (cm)	Width in (cm)	Shipping Weight lbs (kg)
613-C	20.5 (52.1)	6.0 (15.25)	5.25 (13.3)	2.0 (.9)

Specifications



Ordering Information

Model Number	Description
613-C	Clamshell Grill Scraper
613-030-6C	Replacement Blades (Pkg. of 6)
613-042S	Blade Cover Plate
613-026S	Blade Clamping Knob
613-023S	Forehand Knob

Certifications

