



EC-6 Series Egg Cooker Product # EC-6

Prince Castle's EC-6 series egg cooker provides restaurants a quick while professional solution for egg products. With different lids and egg ring grids, the EC-6 is able to cook round and rectangular shaped eggs, as well as custom shapes upon request.

The precise temperature control and steam created during the cooking provides a consistent cooking result from cycle to cycle. Eggs are cooked in less than 3 minutes with a perfect shape and great taste.

The Display control with programmable settings make operation easier. A built in alarm will remind the crew when eggs are ready to serve. The lid, egg rings, and residue are all easily removable with no tools required, making cleaning a breeze.

Dimensions

Model Number	Width in (cm)	Height in (cm)	Depth in (cm)	Shipping Wt. lbs (kg)
EC6 Series (Closed)	18.01(45.75)	9.20 (23.37)	17.36(44.09)	37.37 (16.95)
EC6 Series (Opened)	21.66(55.03)	17.58(44.66)	17.36(44.09)	37.37 (16.95)

Electrical

Model Number	Volts	Hz	Watts	AMPS
EC6 Series	230	50/60	2500	10.87

Certifications



A Marmon/Berkshire Hathaway Company

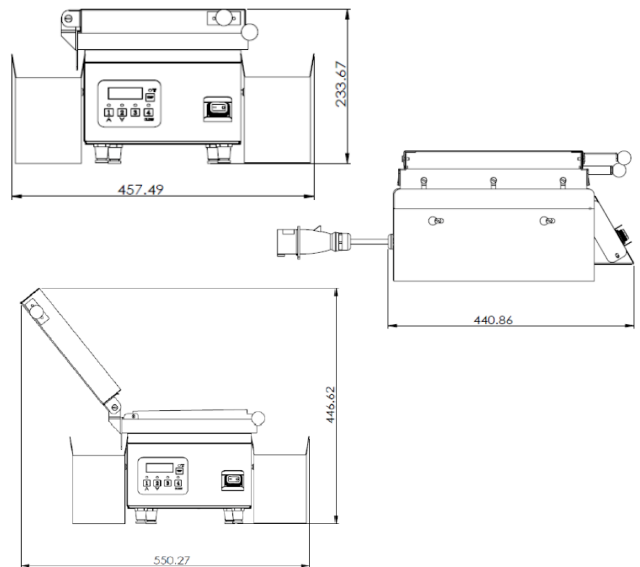
© 2018 Prince Castle LLC - Specifications and design are subject to change without notice

This product is patent protected. Patent information can be found at www.princecastle.com/patents/.

Product Features

- Cooks up to 6 eggs per cycle
- Our Compact design enables efficient use of counter space
- Temperature & time are preset at the factory. Our equipment is ready to use
- Round & rectangle shaped egg rings are available. Custom shapes are also possible
- An Electrical temperature control provides more consistent temperature & cooking results
- The Non-stick egg ring features a detachable design for easy cleaning
- Robust stainless steel for long term durability.

Specifications



355 E. Kehoe Blvd.
Carol Stream, IL 60188

1.800.PCASTLE • 630.462.8800
www.princecastle.com