



Low Profile Grill Scraper Product # 513

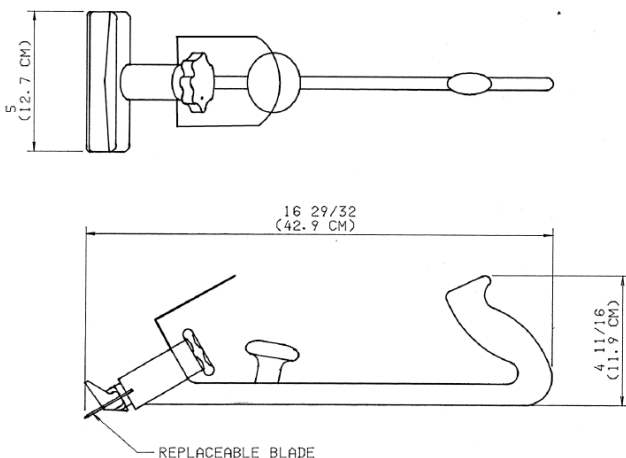
The Prince Castle Low Profile grill scraper was specifically engineered for use with clamshell grills and topside cookers. Designed to clean hot grills between uses, grill scrapers prevent buildup that can ruin grills.

Constructed of durable aluminum, this unique tool is perfect for cleaning hard-to-reach areas. Reversible blades require 50% less replacements, and provide longer blade life. An integrated hand guard helps protect user from the hot clamshell.

Dimensions

Model Number	Width in (cm)	Height in (cm)	Length in (cm)	Shipping Weight lbs (kg)
513-MCG	5 (12.7)	4.7 (11.9)	16.9 (42.9)	2 (0.9)

Specifications



Product Features

- Great for Clamshells and Topside Cookers
- Blades are easily replaced—No tools required
- Durable aluminum construction
- Reversible blades

Ordering Information

Model Number	Description
513-MCG	Low Profile Grill Scraper
514-6	Replacement Blades (Pkg. of 6)

Accessories

Model Number	Description
164-A	Manual Grill Tool Sharpener

Certifications

