

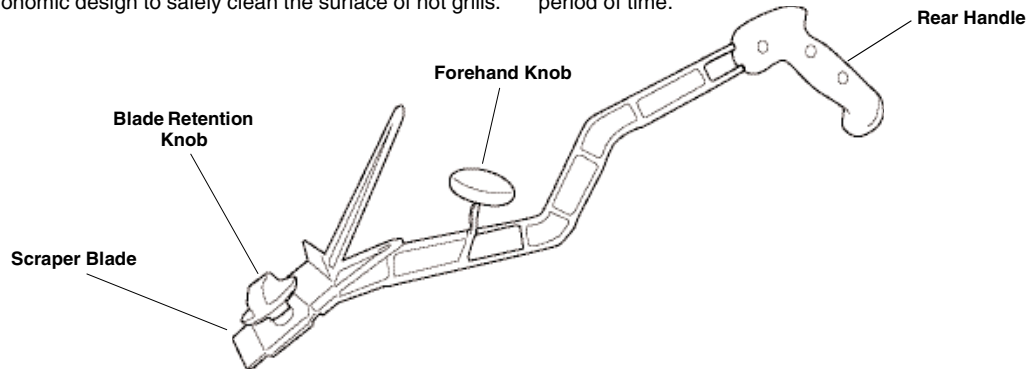
Operating Instructions

Redi-Gril® Grill Scraper with Disposable Blade Model No. 613-C

Product Identification

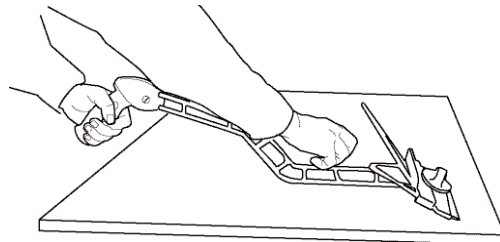
The Prince Castle Model 613 Redi-Gril® Grill Scraper was specifically constructed for safer and more efficient use when cleaning clamshell grills and topside cookers. It features a special ergonomic design to safely clean the surface of hot grills.

Always use PPE (grill gloves and eye protection) when operating Grill. The Model 613 Redi-Gril® Grill Scraper prevents excess buildup and helps keep a grill in good condition for a longer period of time.



Operation

- Grasp the scraper by the forehand knob and rear handle.
- Place the scraper parallel to the grill surface as shown.
- Move scraper back and forth until the buildup has been removed.



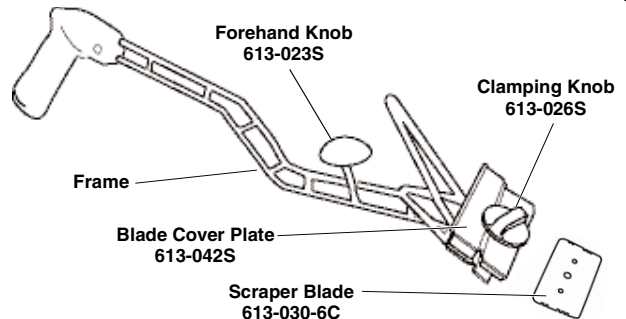
Maintenance

The Prince Castle Model 613 Grill Scraper is designed for maximum durability with minimal maintenance.

See page 2 for instructions on Replacing the Blade.

Cleaning

It is not necessary to remove the blade for cleaning. **If you wash blade, use soap and water. Apply a thin coating of fry oil to prevent rusting. Blades are carbon steel and can easily rust.**

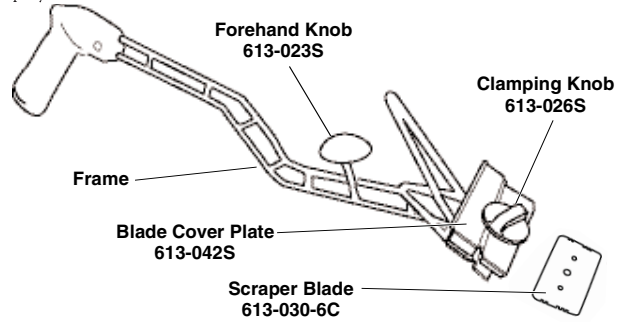


Redi-Gril® Grill Scraper with Disposable Blade

Model No. 613-C

PRINCE CASTLE INC. 
 WORLDWIDE
 A Marmon Group / Berkshire Hathaway Company

PRINCE CASTLE INC. 
 WORLDWIDE
 A Marmon Group / Berkshire Hathaway Company



PRINCE CASTLE INC. 
 WORLDWIDE
 A Marmon Group / Berkshire Hathaway Company

PRINCE CASTLE INC. 
 WORLDWIDE
 A Marmon Group / Berkshire Hathaway Company

PRINCE CASTLE INC. 
 WORLDWIDE
 A Marmon Group / Berkshire Hathaway Company

PRINCE CASTLE INC. 
 WORLDWIDE
 A Marmon Group / Berkshire Hathaway Company

PRINCE CASTLE INC. 
 WORLDWIDE
 A Marmon Group / Berkshire Hathaway Company

PRINCE CASTLE INC. 
 WORLDWIDE
 A Marmon Group / Berkshire Hathaway Company



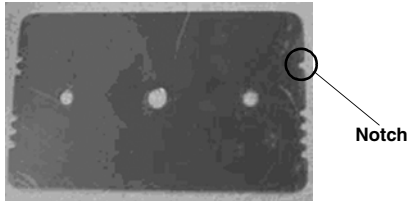
PRINCE CASTLE INC. 
 WORLDWIDE
 A Marmon Group / Berkshire Hathaway Company

Redi-Grill® Grill Scraper with Disposable Blade

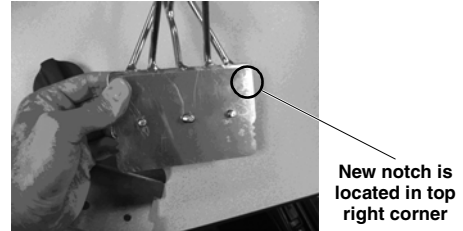
Model No. 613-C

Replacing the Blade

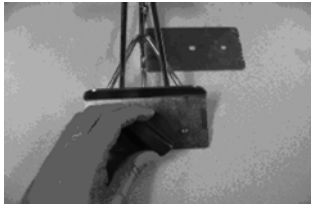
- 1** The new disposable blade has four scraping edges with each one represented by a notch on the perimeter of the blade. To monitor life, it is recommended that you begin with the scraping edge associated with one notch and then use each edge sequentially.



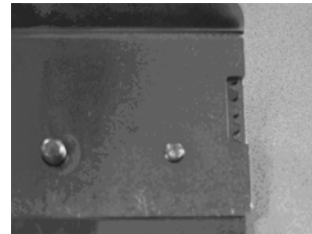
- 4** Place the blade so that its three holes go over the three pegs of the scraper.



- 2** Change to a sharp scraping edge when the current edge can no longer effectively scrape the grill. Turn the knob counterclockwise to loosen the top cover.



- 5** Re-install top cover. Ensure that a new notch is visible in the scraping window. This indicates that new scraping edge is being used.



- 3** Remove top cover.



- 6** Install knob and turn clockwise to tighten.

